

USER MANUAL

MICRONIC
TUBE READER
DT510

CONTENTS

1 INTRODUCTION..... 3

1.1 ABOUT THIS DOCUMENT.....3

1.2 ABOUT THE SYSTEM.....3

1.3 INTENDED USE.....3

1.4 OVERVIEW.....4

1.5 BASIC SPECIFICATIONS.....4

1.6 PRODUCT COMPATIBILITY.....4

2 SAFETY, SERVICE AND WARRANTY.....5

2.1 SAFETY AND SERVICE.....5

2.2 WARRANTY AND LIABILITY.....5

3 QUICK GUIDE.....5

3.1 GENERAL USE.....5

4 TROUBLE SHOOTING GUIDE.....6

5 TECHNICAL SPECIFICATIONS.....6

6 CERTIFICATE OF COMPLIANCES.....7




6.1 RoHS CERTIFICATE.....7

6.2 CE CERTIFICATE.....8

1 INTRODUCTION

1.1 ABOUT THIS DOCUMENT

The current user manual has been designed to provide general users access to required information concerning the *Micronic Tube Reader DT510*. Any variations from the procedures described in this manual may lead to instrument malfunctions. The following signal words and symbols are included in this user manual to emphasize important instructions and to alert users to potential hazards.

Symbol	Definition
	WARNING: Indicates a potentially hazardous situation that, if not avoided, could result in damage to the instrument or personal injury. This signal is used only in extreme situations and therefore, requires special attention.
	ATTENTION: Indicates problems or important information. Read the accompanying text carefully as it is important for understanding the specific topic or command.
	NOTE: Indicates information that is useful, but not essential, to a task. Read the accompanying text carefully as it can help to clarify particular issues.

All rights reserved. This manual may not be copied or reproduced in whole or in part in any way without the prior express written permission of Micronic. The company reserves the right to make alterations without prior notice. Notwithstanding the above statements, Micronic accepts no liability for possible mistakes or their consequences arising from this manual.

1.2 ABOUT THE SYSTEM

The *Micronic Tube Reader DT510* incorporates a housing with a 2D symbology reader, which is connected to the scanner via a USB cable. The scanner reads and decodes 1D rack barcodes and 1D barcoded and 2D Data-Matrix coded tubes.

The *Micronic Tube Reader DT510* package contains:

- Micronic Tube Reader DT510
- USB-B to USB-C cable
- A 'Getting Started' document



For user manuals and warranty information go to www.Micronic.com/login.

1. User name: support
2. Pass word: manuals

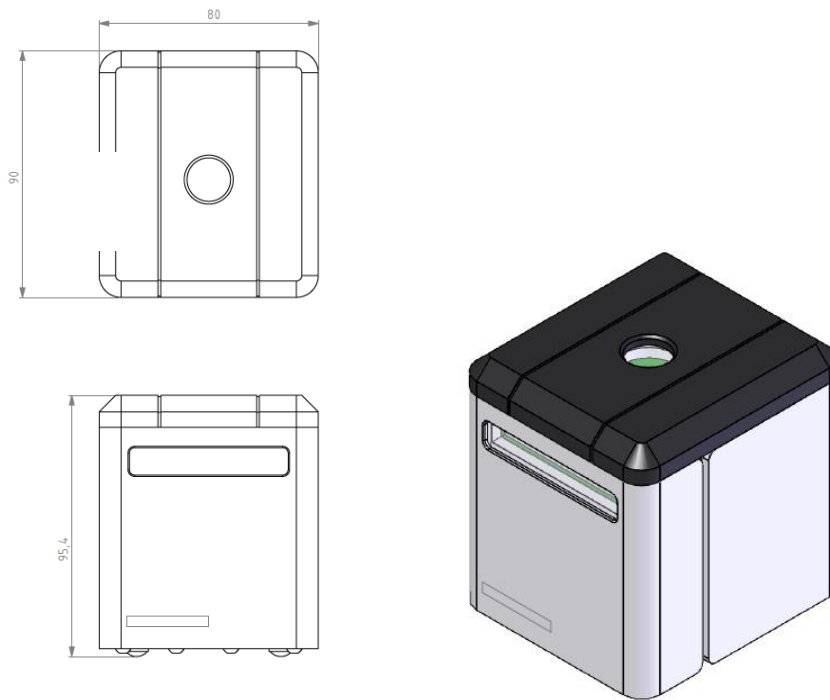
1.3 INTENDED USE

- The *Micronic Tube Reader DT510* operates as a stand-alone device. The device reads 1D rack barcodes and single 1D barcoded and 2D Data-Matrix coded tubes (in 96-, 48- and 24-well format).
- The chosen area must not present a hostile environment to the device or its intended use.
- The device should be used in room temperature or within the specified operating temperature.



WARNING: Do not operate the device in an area with the following characteristics: high concentrations of dust, high humidity, explosion danger or toxic chemical storage.

1.4 OVERVIEW



1.5 BASIC SPECIFICATIONS

- High-end sophisticated decoding engine
- Reads 1D rack barcodes and 1D barcoded and 2D Data-Matrix (ECC200) coded tubes
- Reads under many circumstances
- Sound indication (beep) when code is read
- Integrated light is switched on
- Installed ID reader has unmatched code reading performances
- Keyboard wedge/USB functionality
- No software installation required

1.6 PRODUCT COMPATIBILITY

The *Micronic Tube Reader DT510* is developed to be compatible with the Micronic product-line.



The *Micronic Tube Reader DT510* can also be used with other brands of tubes, but no guarantee will be given when these products are used solely, or in combination with one of the mentioned Micronic products.

2 SAFETY, SERVICE AND WARRANTY

2.1 SAFETY AND SERVICE



WARNING: To prevent unintended damage to the appliance it is absolutely essential that you read and understand the operating instructions. Furthermore, the owner is responsible for ensuring that appropriate instructions are provided to users of the appliance.

Repairs must only be carried out by authorized personnel, using Micronic parts.

The appliance must only be operated by appropriately trained and instructed personnel who are familiar with all aspects of safety relating to this appliance.

The *Micronic Tube Reader DT510* must not be used for any purpose apart from the outlined application (see intended use).

2.2 WARRANTY AND LIABILITY



WARNING: Repairs should only be carried out by specialists of Micronic, or under the supervision of Micronic.

Micronic accepts no liability for possible mistakes or their consequences arising from this manual, and for possible dysfunction of the *Micronic Tube Reader DT510* in case service and maintenance is carried out by unauthorized personnel.

While great care has been taken in the development of the *Micronic Tube Reader DT510*, any damages, losses or discrepancies arising from using this machine are entirely at your own risk and no responsibility can be accepted by Micronic. The product contains proprietary and confidential information and such information must not be disclosed to other parties for any purpose or used for manufacturing purposes without prior written permission from Micronic.

Differences in appearance between the machine and pictures or drawings in the manual do not effect the use of both.

3 QUICK GUIDE

For operators of the *Micronic Tube Reader DT510* who only need to know the daily operating procedure of the system, this chapter shows the sequence of actions that are required to use the *Micronic Tube Reader DT510* in the correct way.

3.1 GENERAL USE

1. Connect the *Micronic Tube Reader DT510* to the computer via the USB-cable
2. Wait until the computer recognizes the scanner
3. Open the program in which you want to use the data
4. Hold a 1D rack barcode or a 1D barcoded or 2D Data-Matrix coded tube (any tube size in 96-, 48- or 24-well format) above the transparent plate. The *Micronic Tube Reader DT510* will scan and decode the rack or tube ID and export the code into the program which is activated on the computer.

4 TROUBLE SHOOTING GUIDE

The following Troubleshooting Checklist can help you to remedy certain problems that may be encountered when operating the Micronic Tube Reader DT510. The checklist contains the symptom, possible cause and corrective action related to the particular problem. Please note that this checklist is a general list and describes general known problems. Some problems might be solved when using a newer design/version.

Symptom	Possible Cause	Corrective Action
Scanner is not recognized	<ul style="list-style-type: none"> ▪ USB port is not recognized ▪ Surrounding lighting is abnormal 	<ul style="list-style-type: none"> ▪ Check in the device manager of the OS if the scanner is well recognized ▪ Put scanner in normal light circumstances

If the problem is not solved after taking the corrective actions mentioned in the table, please inform a Micronic sales office or your local supplier. To be able to help you efficiently when you contact Micronic or your local supplier, please complete the form 'Problem Description' below and send it together with your service request.

Micronic Europe B.V.

(sales office for regions: Asia, Africa, Europe, Oceania)
 Platinastraat 51, 8211AR, Lelystad
 The Netherlands
 Phone: +31 (0)320 277070
 Fax: +31 (0)320 277055

Micronic America LLC

(sales office for regions: United States, Canada and Latin America)
 210 Bridgewater Rd, Suite # 3
 Aston, PA 19014, USA
 Phone: +1 484 480 3372
 Fax: +1 484 480 3376

6 TECHNICAL SPECIFICATIONS

- Image sensor CMOS 1.2 Megapixel monochrome
- Supports USB Ports 3.1
- Power: 5VDC 0.3A (USB powered)
- Operating temperature: 0 °C to 50 °C.
- Approvals: CE, UL, FCC, CTICK, VCCI, IC.

7 CERTIFICATE OF COMPLIANCES

7.1 ROHS CERTIFICATE

This document certifies that the products and components as identified above and manufactured by Micronic Manufacturing BV, are, to the best of its knowledge, in compliance with Directive 2002/95/EC of the European Parliament and of the Council of 27 January 2003 (the "RoHS Directive"), which restricts the use of certain hazardous substances in electrical and electronic equipment.

Micronic Manufacturing BV also certifies that any product information provided herein, to the best of its knowledge, is accurate.

This certificate is based on component and part information provided to Micronic Manufacturing BV by its various suppliers, customer supplied tooling data, known manufacturing capabilities and applicable Material Safety Data Sheets. Other than a review of such information, Micronic Manufacturing BV has not performed any independent laboratory of mechanical analysis as to the composition of the components that make up the Micronic Manufacturing BV products listed herein. As a result, this certificate shall not be interpreted or construed as a guarantee, representation or warranty of any kind by Micronic Manufacturing BV that any such information is accurate or complete, and Micronic Manufacturing BV shall not be liable hereunder if any such information turns out to be incomplete, incorrect or untrue.

Signed for and on behalf of:
Micronic Manufacturing BV

Lelystad, November 11th 2014.



Patrick van Wijk, General Manager

7.2 CE CERTIFICATE

Declaration of conformity

Micronic Manufacturing B.V.
at Lelystad, Netherlands

Declares on its own responsibility that the product,

Micronic Tube Reader,
Serial numbers MIC-DT510-###

In accordance with the EC directives

2014/35/EU
2014/30/EU
2002/96/EC

Low Voltage Directive
EMC Directive
Waste Electrical & Electronic Equipment

Is in compliance with the following standards or normative documents:

IEC 61010-1:2010+A1:2016-CSV en

Safety requirements for electrical equipment for measurement, control,
and laboratory use - Part 1: General requirements

NEN-EN-IEC 61326-1:2013 en

Electrical equipment for measurement, control and laboratory use - EMC
requirements - Part 1: General requirements

Lelystad, 25 March 2021.

Patrick van Wijk, General Manager

© 2021 Micronic Manufacturing B.V., the Netherlands

All rights reserved. This manual may not be copied or reproduced in whole or in part in any way without the prior express written permission of Micronic Manufacturing B.V. The company reserves the right to make alterations without prior notice.

PD814601