



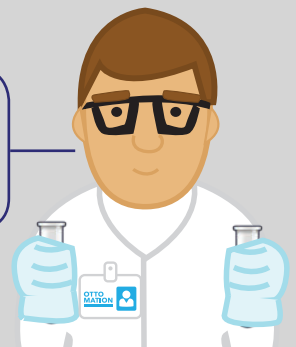
VXQ BULK VIAL HANDLER

The VXQ (model # 1071) is a bulk feeding system designed to convey vials to the VX Series for labeling, filling and/or racking.

FEATURES & BENEFITS

- Handle multiple tube types with same system
- Works with a variety of vials ranging from 0.5 mL to 15mL
- Touch screen control
- Easily create, store and change multiple tube definitions
- Retrofits to existing machines in the field
- Increase walk- away time
- Increase productivity and efficiency
- Compact footprint saves valuable space in the lab
- Eliminate human error
- Eliminate tedious and time consuming tasks
- Reduce repetitive injuries

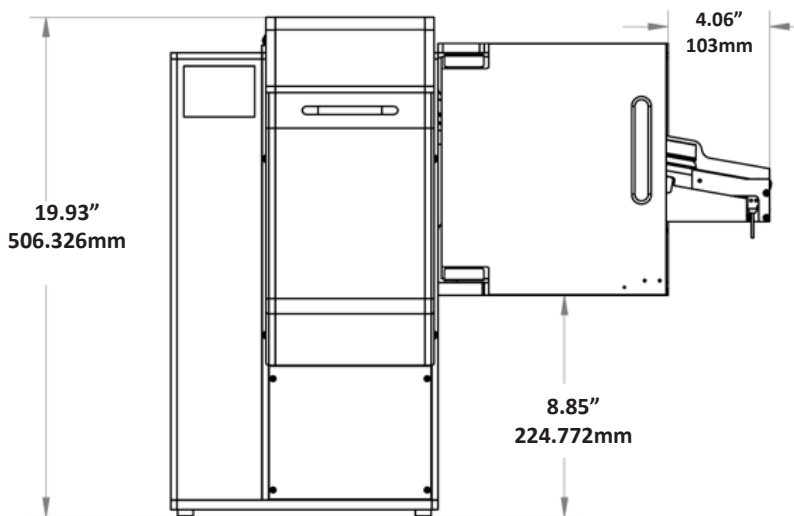
Contact us!
314-298-9800
info@scinomix.com
scinomix.com



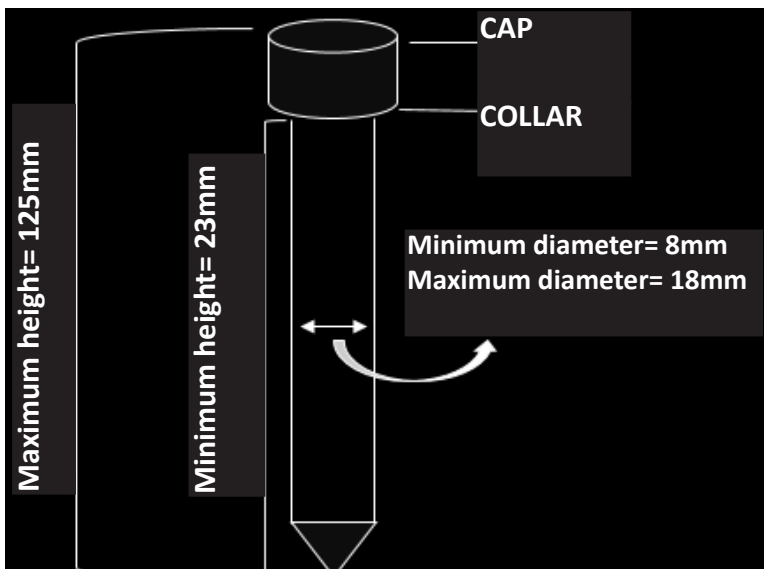
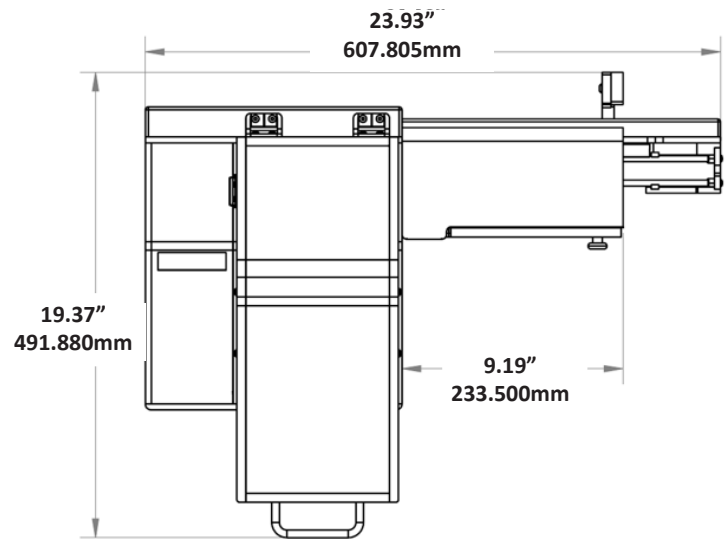
SCI-PRINT VXQ SPECIFICATIONS

System Requirements	N/A
Network Requirements	N/A
Air Requirements	80-90 PSI @ 1 CFM. The air supply must be oil/contaminant free, with an inline regulator and air dryer.
Main Power Requirements	110-240 VAC 50/60 Hz 80W (Max)
Provided Power Supply	Output Voltage: 24 V DC Max Output Current: 2.71 A Max Output Power: 65 W Max Ripple and Noise: 240 mV p-p
Operating Environment	<i>(Indoor use only)</i> Temperature: 10 degrees C to 40 degrees C Humidity: 20% to 80% non-condensing Altitude: Up to 2000M Main Supply: +/- 10% Rated Voltage Transient overvoltage: Installation Category (Overvoltage category) II Rated pollution: Pollution degree II
Transport & Storage Temperature	-20 degrees C to +55 degrees C (20% to 80% non-condensing)
Physical Dimensions	Height: 19.93"(491.9mm), Width: 23.93"(607.8mm), Depth: 19.37"(491.4mm), Weight: 52 lbs. (24KG)
Hopper Capacity	Contingent on type type/size being used. For reference, the hopper can hold up to 600 Cryovials
Tube Specifications	Volume Range: 0.5 mL to 15 mL*, Max Height: 125 mm, Max Diameter: 18 mm
Certifications	CE

Front View



Top View



- **Maximum Height:** Measured from the bottom of the cap to the bottom of the tube.
- **Minimum Height:** Measured from the base of the cap to the bottom of the tube.
- **Maximum Diameter:** Tube must not exceed 18 mm in diameter
- **Minimum Diameter:** Tube must be at least 8 mm in diameter