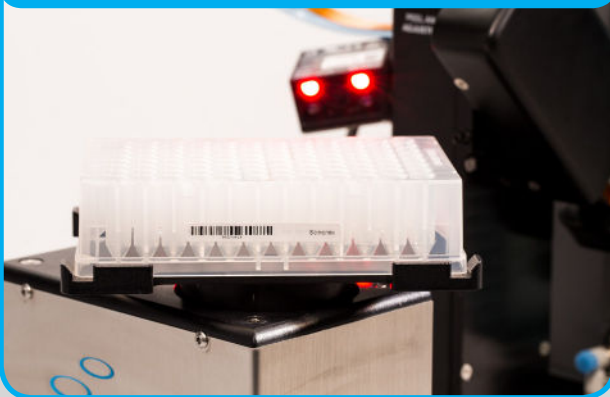


Optional barcode scanner



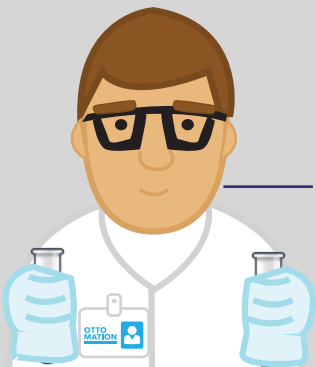
SCI-PRINT MP2

SEMI-AUTOMATED PLATE HANDLER

The Sci-Print MP2 (model # 1043) is a benchtop semi-automated barcode label printer that prints and applies labels onto a variety of microplates for sample tracking. It can be used in a manual stand-alone environment or integrated into a fully automated system.

FEATURES & BENEFITS

- Label up to four sides of the plate
- Print a range of standard barcodes (1D & 2D)
- Optional barcode scanner
- Easily integrated into third party systems
- User configurable fields
- Increase productivity & efficiency
- Label consistency
- Eliminate human error
- Reduce repetitive injuries
- Small footprint saves valuable space in the lab

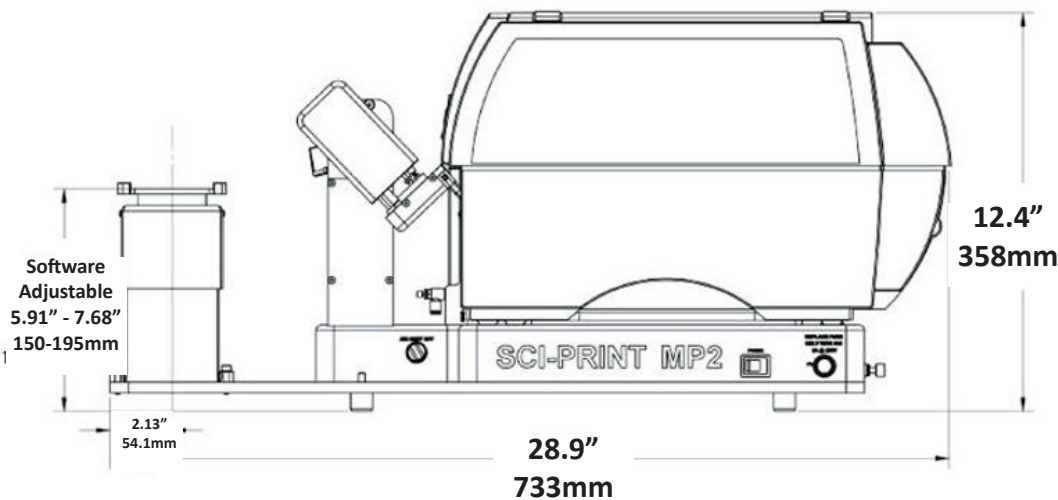


Contact us for more info!
p. 314-298-9800
e. info@scinomix.com
w. scinomix.com

SCI-PRINT MP2 SPECIFICATIONS

System Requirements	Windows 7 with Service Pack 1, Windows 8/ 8.1 , Windows XP with Service Pack 3, Microsoft.NET Framework 3.5 with Service Pack 1 or greater.
Network Requirements	Connects to a computer via RS232 serial port. A serial port or USB-serial port adaptor is required on the computer.
Air Requirements	80-90 PSI @ 2.5 CFM. The air supply must be oil/contaminant free, with an inline regulator and air dryer.
Main Power Requirements	Printer: 110-240V AC @2A 50-60Hz, Power Supply: 120-240VAC @ 1.4A, 50-60Hz
Provided Power Supply	Output Voltage: 24 V DC Max Output Current: 2.71 A Max Output Power: 65 W Max Ripple and Noise: 240 mV p-p
Transport and Storage Temperature	-20 degrees C to +55 degrees C
Operating Environment	<i>(Indoor use only)</i> Temperature: 10 degrees C to 40 degrees C Humidity: 20% to 80% non-condensing Altitude: Up to 2000M Main Supply: +/- 10% Rated Voltage Transient overvoltage: Overvoltage category I , Printer (Overvoltage category) II Rated pollution: Pollution degree II
Physical Dimensions	Height: 12.4" (358mm), Width: 7.7" (196mm), Depth: 28.9" (733mm), Weight: 37.5 lb. (17KG)
Labeling Rate	4 seconds per label
Plate Height Specifications	Max Height: 46mm, Min Height: 6mm (*plate requirements)
Transport and Storage Temperature	-20 degrees C to +55 degrees C
Certifications	CE, FCC
*Plate Requirements	ANSI SLAS PLATE REQUIREMENTS: https://www.slas.org/SLAS/assets/File/ANSI_SLAS_1-2004_FootprintDimensions.pdf

Side View



Front View

