

BB DROPPER

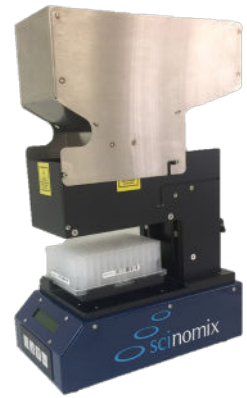
AUTOMATED BB DISPENSER

The BB Dropper (model # 1073) is a benchtop device designed to dispense metallic BBs into microplates*, deep well blocks*, and tube blocks*.

FEATURES & BENEFITS

- Can be used stand alone or integrated into larger third party systems
- User changeable cartridges allow for various BB sizes
- The operating height of the dispensary mechanism is adjustable to accommodate various plate/block heights (up to 80mm)
- Microprocessor program allows for automatic operator prompting, device control, and error checking
- Backlit LCD display to prompt user and indicate errors
- Hopper capacity ranges from 3,800 to 20,000 BB depending on BB size
- Optional hopper extension to increase BB capacity

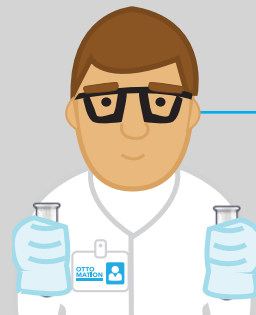
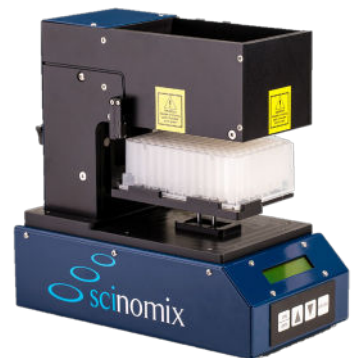
External Hopper holds up to 40,000 BB's



Hopper holds up to 20,000 BB's



Lift plate for RS232 mode

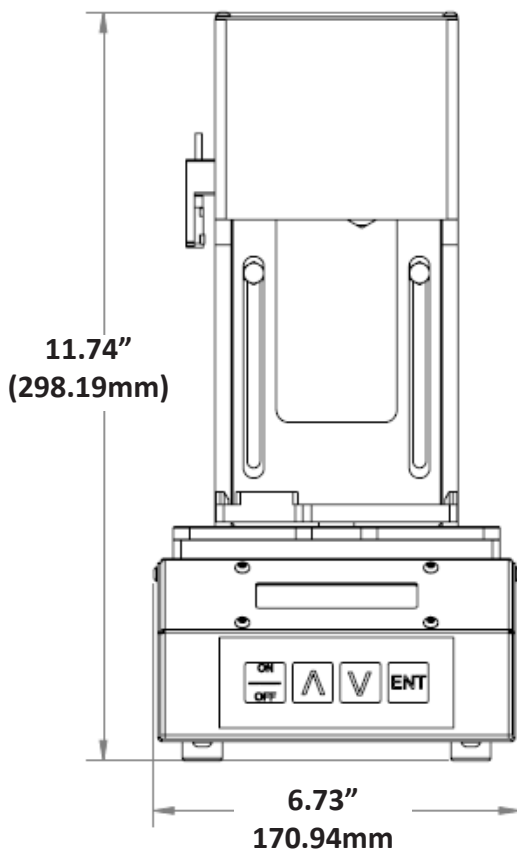


Contact us for more info!
314-298-9800
info@scinomix.com
scinomix.com

SCINOMIX BB DROPPER SPECIFICATIONS

System Requirements	Stand alone/manual mode: N/A, Integration mode: RS232 cable				
Network Requirements	N/A				
Air Requirements	80-90 psi @ 1 CFM air				
Main Power Requirements	110-240 VAC @ 1.0 A, 50-60 Hz				
Provided Power Supply	Output Voltage: 24 V DC Max Output Current: 2.71 A Max Output Power: 65 W Max Ripple and Noise: 240 mV p-p				
Operating Environment	<i>(Indoor use only)</i> Temperature: 10 degrees C to 32 degrees C Humidity: 20% to 80% non-condensing Altitude: Up to 2000M Main Supply: +/- 10% Rated Voltage Transient overvoltage: Installation Category (Overvoltage category) I Rated pollution: Pollution degree II				
Transport and Storage Temperature	-4 degrees F to 104 degrees F (-20 degrees C to +55 degrees C)				
Physical Dimensions	Max Height: 11.74" (298.19mm) Width: 6.73" (170.94mm) Depth: 10.69" (271.53mm) Weight: 12lb. (5.5KG)				
Number of BBs per well/tube	1-10				
Plate Height Specifications	Max Height: 80 mm, Min Height: 14.4 mm (*plate requirements)				
Number of Racks	1 Microplate*				
BB Ranges & Hopper Capacity (this information is based on metallic BB's. This device is not compatible with plastic or glass BB materials)	Part Number	BB Diameter Range (in)	BB Diameter Range (mm)	Hopper Capacity	External Hopper
	1073-501-001	0.110 - 0.130	2.794 - 3.302	20,000	40,362
	1073-502-001	0.156 - 0.175	3.962-4.445	10,600	40,000
	1073-503-001	0.172 - 0.190	4.368 - 4.826	8,000	30,200
	1073-504-001	0.190 - 0.225	4.823 - 5.715	3,800	14,100
BB Materials not Compatible	non-ferrous material				
Average Cycle Time	4.193 seconds per BB				
Certifications	CE				
*Plate & Block Requirements	ANSI SLAS PLATE REQUIREMENTS: https://www.slas.org/SLAS/assets/File/ANSI_SLAS_1-2004_FootprintDimensions.pdf				

Front View



Side View

