

Vial Labeling



Large Vial Range



SCI-PRINT VX2

FULLY AUTOMATED VIAL HANDLER

The Sci-Print VX2 (model # 1044) is a vial labeling system, capable of printing and applying labels to vials ranging from 0.5 mL to 50 mL in size.

The Sci-Print VX2 can be configured to sort racked tubes, receive bulk tubes, uncap/recap, fill and/or scan barcodes.

FEATURES & BENEFITS

- 6 position workdeck (holds up to 600 tubes)
- Handle multiple tube types with same system
- Increases productivity & efficiency
- Increases walk-away time
- Eliminates human error
- Reduces repetitive injuries
- Consistency of label placement

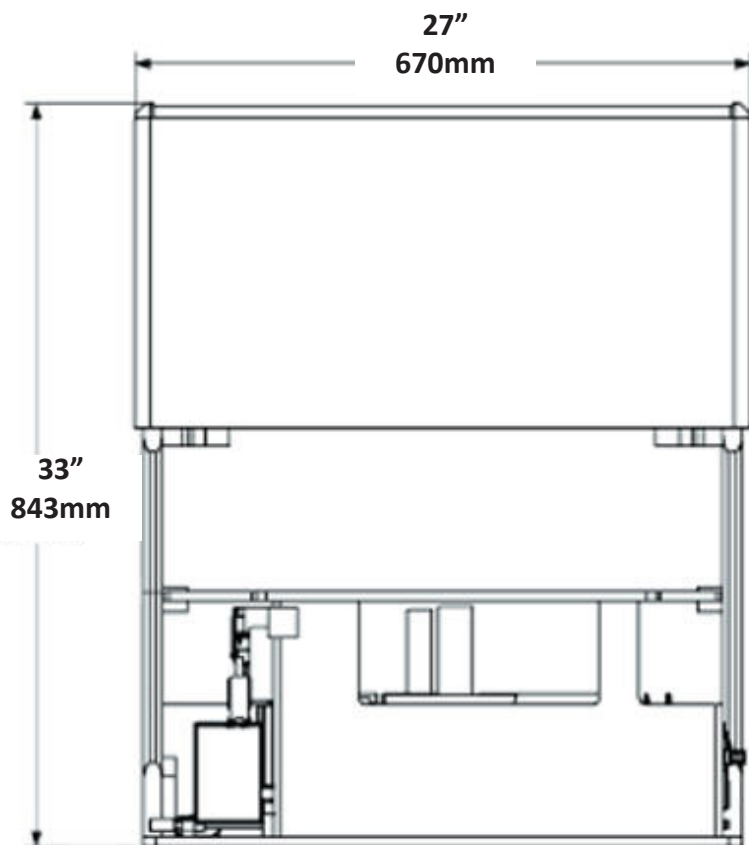


Contact us for more info!
314-298-9800
info@scinomix.com
scinomix.com

SCI-PRINT VX2 SPECIFICATIONS

System Requirements	Windows 7/8/8.1/10 .NET 4.5.1 framework
Network Requirements	Requirements dependent on software version. May need RS232 or ethernet.
Air Requirements	80-90 PSI @ 1 CFM. The air supply must be oil/contaminant free, with an inline regulator and air dryer.
Main Power Requirements	110-240 VAC 50/60 Hz 80W (Max)
Transport and Storage Temperature	-20 degrees C to +55 degrees C (20% to 80% non-condensing)
Operating Environment	<i>(Indoor use only)</i> Temperature: 10 degrees C to 40 degrees C Humidity: 20% to 80% non-condensing Altitude: Up to 2000M Main Supply: +/- 10% Rated Voltage Transient overvoltage: Installation Category (Overvoltage category) II Rated pollution: Pollution degree II
Physical Dimensions	Height: 33" (843mm) Width: 27" (670mm) Depth: 14" (355mm) Weight: 90lb. (41KG)
Labeling Rate/Throughput	425 tubes per hour (throughput is impacted based on configuration).
Tube Specifications	Volume Range: 0.5 mL to 50 mL, Max Height: 120 mm, Max Diameter: 35 mm
Rack Capacity	6 position work deck *
Certifications	CE
*Rack Requirements	ANSI SLAS PLATE REQUIREMENTS: https://www.slas.org/SLAS/assets/File/ANSI_SLAS_1-2004_FootprintDimensions.pdf

Front View



Side View

